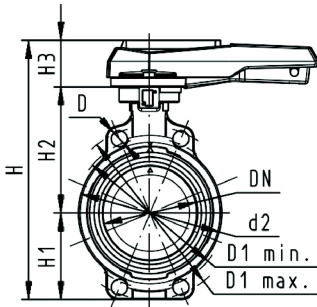




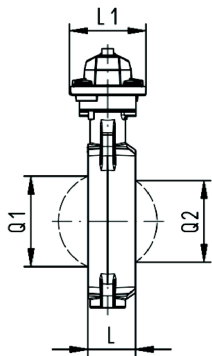
Butterfly valve type 567 PVC-U Hand lever with ratchet settings

Model:

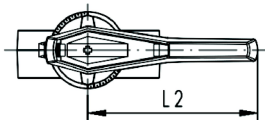
- Up to DN 300: Overall length according to EN558 (DN 50-200: line 25, DN250, 300 line 16), ISO 5752
- Connecting dimension: ISO 7005 PN 10, EN 1092 PN 10, DIN 2501 PN 10, ANSI/ASME B 16.5 Class 150, BS 1560: 1989, BS 4504, JIS B 2220
- We recommend for the dimensions DN250 and DN300 only 6 bar maximum system pressure for the hand lever version



d	Size	DN	PN	kv-value	EPDM	FKM	SP	Weight
(mm)	(inch)	(mm)	(bar)	($\Delta p=1$ bar)	Code	Code		(kg)
				(l/min)				
63	2	50	10	1470	161 567 002	161 567 022	1	1.259
75	2 ½	65	10	2200	161 567 003	161 567 023	1	1.799
90	3	80	10	3000	161 567 004	161 567 024	1	1.534
110	4	100	10	6500	161 567 005	161 567 025	1	2.235
140	5	125	10	11500	161 567 006	161 567 026	1	2.799
160	6	150	10	16600	161 567 007	161 567 027	1	3.791
225	8	200	10	39600	161 567 008	161 567 028	1	6.570
280	10	250	10	55200	161 567 009	161 567 029	1	12.998
315	12	300	10	80000	161 567 010	161 567 030	1	19.139



d	D	D1	D1	d2	H	H1	H2	H3	L	L1	L2	Q1	Q2
(mm)	(mm)	min.	max.	(mm)	(mm)	(mm)	(mm)	(mm)	(mm)	(mm)	(mm)	(mm)	(mm)
		(mm)	(mm)										
63	19	120.0	125.0	104	265	77	134	54	45	106	205	40	35
75	19	139.7	145.0	115	268	83	140	45	46	106	205	54	
90	19	150.0	160.0	131	289	89	146	54	49	106	205	67	50
110	19	175.0	190.5	161	326	104	167	55	56	106	255	88	74
140	23	210.0	215.9	187	353	117	181	55	64	106	255	113	97
160	24	241.3	241.3	215	374	130	189	55	72	106	255	139	123
225	23	290.0	295.0	267	435	158	210	67	73	140	408	178	169
280	25	353.0	362.0	329	554	205	264	85	113	149	408	210	207
315	25	400.0	432.0	379	598	228	285	85	113	149	408	256	253



The technical data are not binding. They neither constitute expressly warranted characteristics nor guaranteed properties nor a guaranteed durability. They are subject to modification. Our General Terms of Sale apply.

Georg Fischer Piping Systems Ltd, Postfach, CH-8201 Schaffhausen/Switzerland

Phone +41 -(0)52-631 1111

e-mail: info.ps@georgfischer.com

Internet: <http://www.gfps.com>