

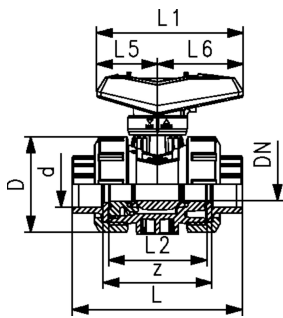
**Ball valve type 546 Pro PVC-C**  
**With solvent cement sockets Inch ASTM**  
**Including 2 threaded union ends NPT**

**Model:**

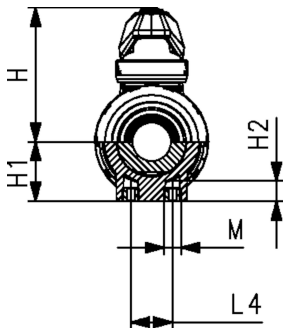
- Lockable lever as standard (DN10-DN50)
- For easy installation and removal
- Ball seals PTFE
- Integrated stainless steel mounting inserts
- Threaded valve ends are only enclosed for DN10/15-50
- Z-dimension, valve end and union nut **are compatible** with type 546 (1<sup>st</sup> Generation)

**Option:**

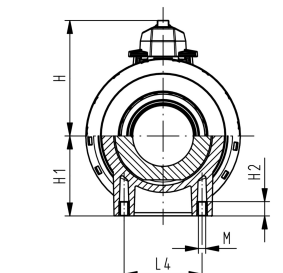
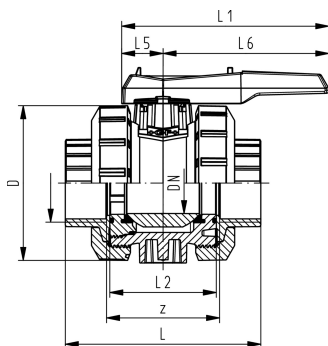
- Interface-module with position feedback sensor, incl. LED feedback (DN10-50)
- Manual spring return lever ("Dead man") (DN10-50)
- Pneumatic or electric actuators from GF
- Individual configuration of the valve possible
- Multifunctional module with integrated limit switches (DN65-100)



Size (inch)	d (mm)	DN (mm)	PN (bar)	kv-value ( $\Delta p=1$ bar) (L/min)	EPDM Code	SP	Weight (kg)	FKM Code	SP	Weight (kg)
3/8	16	10	16	71	163 546 341	1	0.194	163 546 351	1	0.194
1/2	20	15	16	185	163 546 342	1	0.248	163 546 352	1	0.250
3/4	25	20	16	350	163 546 343	1	0.358	163 546 353	1	0.267
1	32	25	16	700	163 546 344	1	0.517	163 546 354	1	0.520
1 1/4	40	32	16	1000	163 546 345	1	0.652	163 546 355	1	0.810
1 1/2	50	40	16	1600	163 546 346	1	1.166	163 546 356	1	1.180
2	63	50	16	3100	163 546 347	1	2.055	163 546 357	1	2.078
2 1/2	75	65	16	5000	163 546 348	1	5.400	163 546 358	1	5.400
3	90	80	16	7000	163 546 349	1	5.821	163 546 359	1	6.689
4	110	100	16	11000	163 546 350	1	12.800	163 546 360	1	12.800



Size (inch)	D (mm)	H (mm)	H1 (mm)	H2 (mm)	L (mm)	L1 (mm)	L2 (mm)	L4 (mm)	L5 (mm)	L6 (mm)	M	z (mm)
3/8	50	61	27	12	92	82	56	25	35	47	M6	68
1/2	50	61	27	12	95	82	56	25	35	47	M6	67
3/4	58	74	30	12	110	106	65	25	44	62	M6	70
1	68	80	36	12	123	106	71	25	44	62	M6	82
1 1/4	84	95	44	15	146	131	85	45	57	74	M8	98
1 1/2	97	102	51	15	157	131	89	45	57	74	M8	99
2	124	117	64	15	183	152	101	45	66	86	M8	111
2 1/2	166	150	85	15	233	270	136	70	64	206	M8	148
3	200	161	105	15	255	270	141	70	64	206	M8	163
4	238	178	123	22	301	320	164	120	64	256	M12	178



# Data sheet

valid from: 6/3/19

---



The technical data are not binding. They neither constitute expressly warranted characteristics nor guaranteed properties nor a guaranteed durability. They are subject to modification. Our General Terms of Sale apply.

Georg Fischer Piping Systems Ltd, Postfach, CH-8201 Schaffhausen/Switzerland

Phone +41 -(0)52-631 1111

e-mail: [info.ps@georgfischer.com](mailto:info.ps@georgfischer.com)

Internet: <http://www.gfps.com>