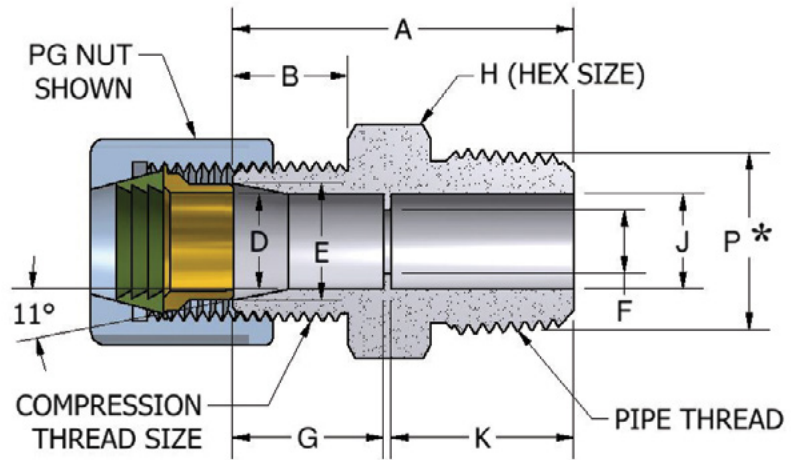


# MALE CONNECTORS

# 10



Section shown with Nut Style, PG, Plastic Gripper Nut

\*Note: (P-1/4 in.) = Pipe Thread Size (See Table)

## MALE CONNECTORS

Jaco Part No. Prefix					Tube O.D.	Pipe Thd. NPT	Comp. Thd.	A	B	D	E	F	G	H	J	K	P*	P*-1/4 = PIPE THD
Conf.	Tube	Pipe	Mtl.	Nut				±1/64	±1/64	+0.005 +0.010		±.010	±1/64	±1/64	±1/64	±1/64		
10 - 2 - 2 -					1/8	1/8	5/16-24	7/8	5/16	.125	.175-.180	.109	7/16	7/16	15/64	25/64	3/8	1/8
10 - 4 - 2 -					1/4	1/8	7/16-20	63/64	3/8	.250	.330-.335	.170	15/32	5/8	3/16	15/32	3/8	1/8
10 - 4 - 4 -					1/4	1/4	7/16-20	1-3/16	11/32	.250	.330-.335	.170	15/32	5/8	5/16	11/16	1/2	1/4
10 - 4 - 6 -					1/4	3/8	7/16-20	1-13/64	3/8	.250	.330-.335	.170	15/32	13/16	3/8	43/64	5/8	3/8
10 - 5 - 2 -					5/16	1/8	1/2-20	1	3/8	.312	.380-.385	.250	31/64	11/16	1/4	Thru	3/8	1/8
10 - 5 - 4 -					5/16	1/4	1/2-20	1-3/16	3/8	.312	.380-.385	.232	31/64	11/16	5/16	41/64	1/2	1/4
10 - 6 - 2 -					3/8	1/8	5/8-20	1-9/64	15/32	.375	.460-.465	.250	19/32	13/16	1/4	Thru	3/8	1/8
10 - 6 - 4 -					3/8	1/4	5/8-20	1-5/16	29/64	.375	.460-.465	.312	19/32	13/16	5/16	Thru	1/2	1/4
10 - 6 - 6 -					3/8	3/8	5/8-20	1-11/32	29/64	.375	.460-.465	.250	19/32	13/16	3/8	23/32	5/8	3/8
10 - 6 - 8 -					3/8	1/2	5/8-20	1-19/32	15/32	.375	.460-.465	.250	19/32	15/16	15/32	15/16	3/4	1/2
10 - 8 - 2 -					1/2	1/8	3/4-20	1-15/64	9/16	.500	.590-.595	.250	11/16	15/16	1/4	Thru	3/8	1/8
10 - 8 - 4 -					1/2	1/4	3/4-20	1-27/64	9/16	.500	.590-.595	.312	11/16	15/16	5/16	Thru	1/2	1/4
10 - 8 - 6 -					1/2	3/8	3/4-20	1-15/32	9/16	.500	.590-.595	.375	11/16	15/16	3/8	Thru	5/8	3/8
10 - 8 - 8 -					1/2	1/2	3/4-20	1-5/8	9/16	.500	.590-.595	.375	11/16	15/16	15/32	57/64	3/4	1/2
10 - 10 - 6 -					5/8	3/8	7/8-20	1-31/64	19/32	.625	.715-.720	.375	45/64	1-1/16	3/8	Thru	5/8	3/8
10 - 10 - 8 -					5/8	1/2	7/8-20	1-5/8	19/32	.625	.715-.720	.484	45/64	1-1/16	31/64	Thru	3/4	1/2
10 - 12 - 8 -					3/4	1/2	1-1/16-20	1-51/64	43/64	.750	.860-.865	.500	13/16	1-5/16	1/2	Thru	3/4	1/2
10 - 12 - 12 -					3/4	3/4	1-1/16-20	1-5/16	43/64	.750	.860-.865	.625	13/16	1-5/16	5/8	Thru	1	3/4
10 - 14 - 12 -					7/8	3/4	1-3/16-16	2	3/4	.875	.995-1.000	.625	7/8	1-7/16	5/8	Thru	1	3/4

\*Note: Dimensional sizes indicated throughout catalog tables are based on Acetal Copolymer and PVDF material shrink rates except where noted.