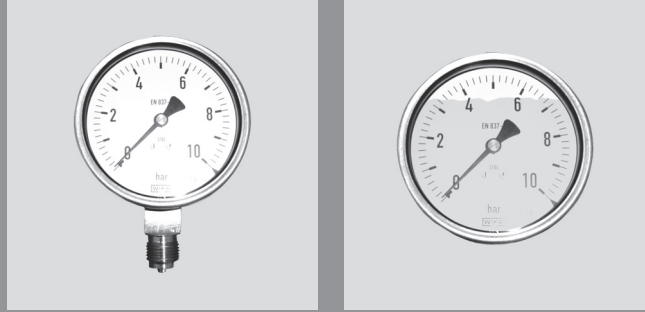


Pressure gauge chemical version



Measuring Range

- 0 - 2,5 bar
- 0 - 4 bar
- 0 - 6 bar
- 0 - 10 bar

Measuring Accuracy

- class of accuracy $\lt \varnothing 100$; 1,6
- class of accuracy $\gt = \varnothing 100 = 1,0$

Pressure Gauge Version

- housing: chrome nickel steel (1.4571)
- measuring system: chrome nickel steel (1.4571)
- liquid-damped

Pressure Gauge Connection

- G1/4"
- G1/2"

Attention

- Optional MDM 902 with pressure gauge!

Pressure gauge chemical version, undamped



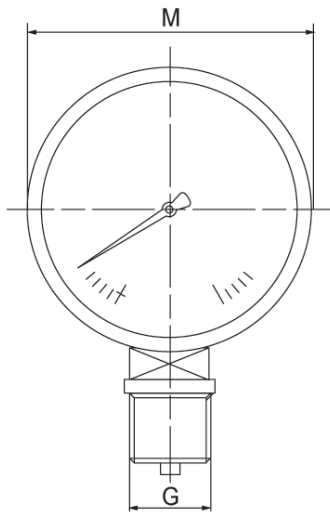
body A4 1.4571

size pressure range	pressure range(bar)	0-2.5	0-2.5	0-2.5	0-4	0-4	0-4	0-6
	M(mm)	63	100	160	63	100	160	63
Connection	sealing	ident No.						
A4 1.4571 threaded neck G	-	43045	43046	43047	43049	43050	43051	43053

body A4 1.4571

size pressure range	pressure range(bar)		0-6	0-6	0-10	0-10	0-10
	M(mm)		100	160	63	100	160
Connection	sealing	ident No.					
A4 1.4571 threaded neck G	-		43054	43055	43057	43058	43059

Pressure gauge chemical version, undamped



dimensions

M(mm)	63	100	160
G(inch)	1/4	1/2	1/2
dimensions(mm)			
G	1/4	1/2	1/2